

INSTRUCTION MANUAL

1/5TH Scale 2WD Gasoline Power Off-road Buggy



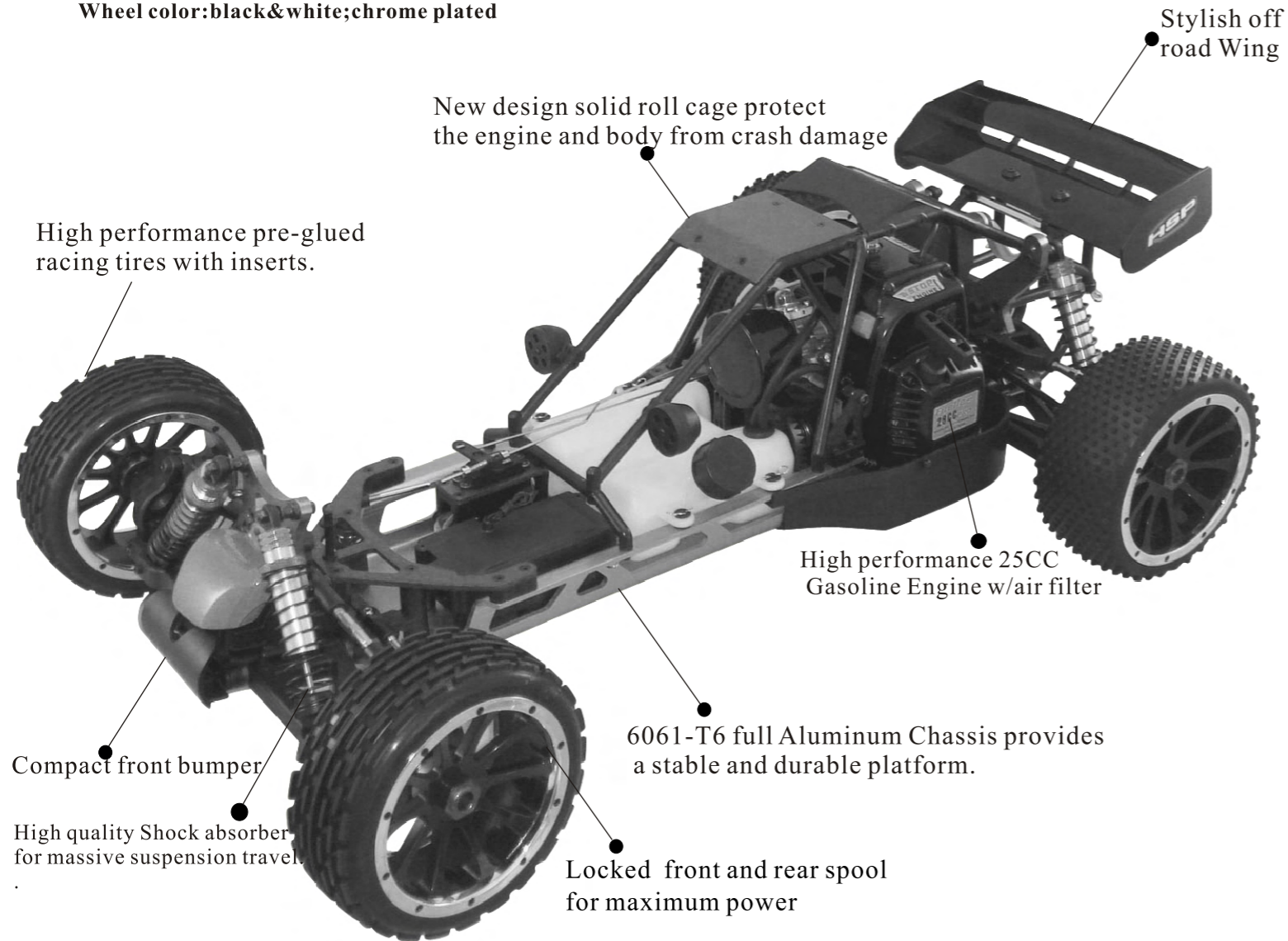
Notes:

The radio controlled racing models is not toy. It is suited for experienced operators. Read and understand the instructions carefully before operating or assembling your racing model. Specifications are subject to change without prior notice, and actual received model may vary from the images and/or descriptions in this manual.

Specifications:(2WD Buggy)

- 1.Engine:25/28/30CC
- 2.Steering Servo:27KG-cm Throttle Servo:13KG-cm
- 3.Length:825mm
- 4.Width:480mm
- 5.Height:270mm
- 6.Weight:12.5KG
- 7.Wheelbase:610mm
- 8.Drive way:Shaft drive
- 9.Chassis:4mm thickness. Aluminum6061T6
Ground Clearance:55mm
- 10.Wheels(F):176mm &65mm Wheels(R): 170&75mm
Wheel color:black&white;chrome plated

- 11.Fuel Tank Capacity:700CC
- 12.Drive System:2WD
- 13.Diffirential System:CNC process metal gear
- 14.Brake Syetem:double brake disc turn round sytem
- 15.Gear Ratio:1:9.6
- 16.Receiver battery/charger:1500/2000mAh,Ni-MH battery
- 17.Body:anti-explode,high resistance
- 18.Camber Angel:0-35°
- 19.R/C Control System:FM /AM LCD Transmitter
- 20.out of Control protection:standard protection equip



Before Starting Your Vehicle

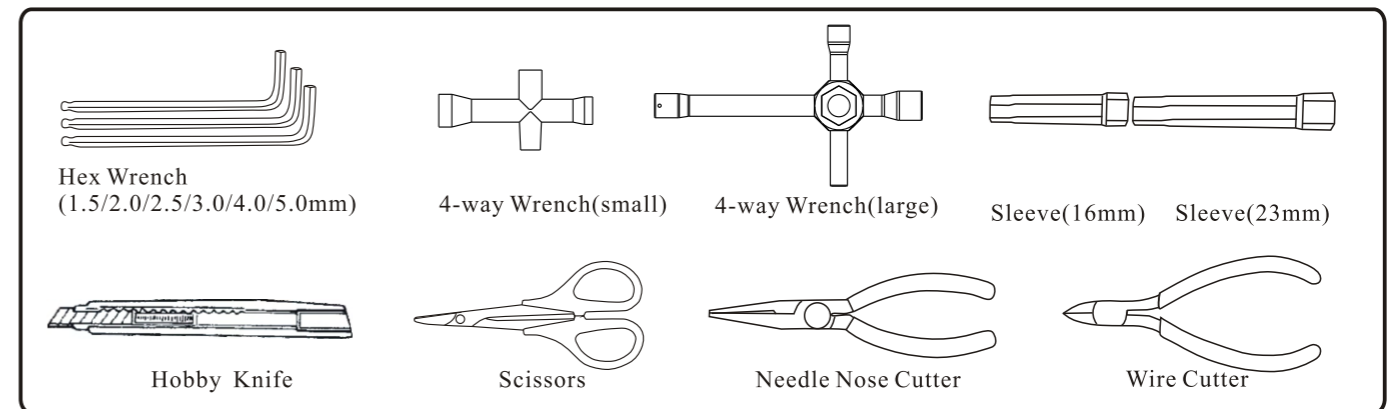
- Verify that all retainers are well fastened (screws, nuts, bolts and clips)
- Verify proper function of steering, drive-line and engine/braking control.
- Lubricate appropriately all bearings, bushings and maintain proper shock performance.
- Always run engine with a clean oiled air filter.
- Inspect fuel tank for cracks and/or kinks in silicone tubing. Correct problem if required.
- Inspect tune-pipe for damage; make sure it is well fastened to engine/chassis.
- Operate radio system with fully charged batteries; perform radio frequency/range check.
- Inspect terrain for hard/non-movable objects that may become a hazard for your vehicle.
- Provide adequate clearance between your vehicle and your observers.
- Do not operate vehicle on public roads, or obtain adequate authorisation to permit usage.

1

Important Safety Precautions

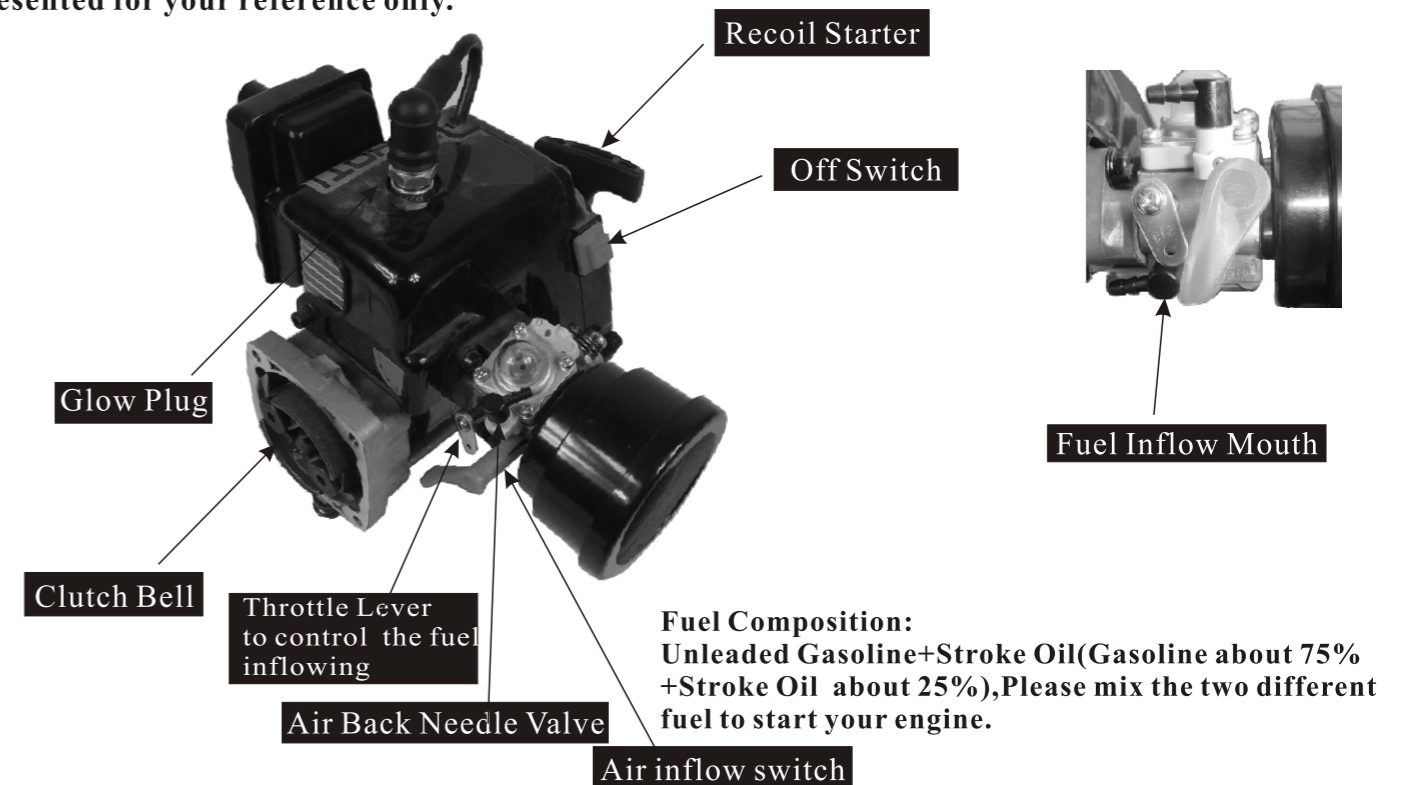
- Replace the shield body after adjustment and before driving.
- Do not abruptly alter the speed during running.
- Carefully check whether all screws or nuts are loose or not after running.
- Never measure the fuel close to open fire or any source of heat.
- Never run the vehicle without a clean air filter installed.
- Do not run the model lean and do not allow the engine to overheat.
- Use the special fuel for models.
- Store fuel in cool,dry and dark places away from Children's reach!
- Tighten the cap of the fuel bottle when not used..
- Do not put your finger or any object into the rotating or moving parts.
- To avoid the danger of burns, do not touch the engine and muffler immediately after they have stopped running.

Tools For Assembling Your Model



Engine View

Note:The engine is sticked with warning labels, please pay special attention on it . The image is presented for your reference only.



2

Use Transmitter to control your Vehicle...

1/5th scale Gasoline powered RTR model Transmitter has 2 styles, LCD Transmitter(FM)&Multifunctional Transmitter(AM).you can choose it.Below is the LCD Transmitter(FM) function description.



#TR80127
LCD 2-Channel(FM)



#TR80126
Multifunctional
2-Channel(AM)

Battery Precautions:

- In order to keep continue better performance under operations, we strongly recommend you to use the 1.5V alkaline batteries instead of the 1.2 V chargeable batteries.eight AA battery should be inserted on the bottom of the transmitter.
- The batteries may leak in the event that they are installed with wrong polarities.
- Do not use batteries of different types.
- Do not leave the batteries if not in use for long periods.

LCD Transmitter(FM)Function Description:



The function switches on the transmitter:

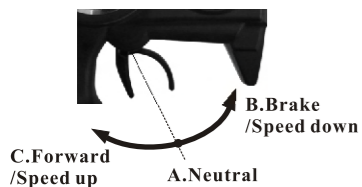
- Antenna
- Switch key
- Four function Key:
Mode Channel
Increase Decrease
- Throttle Trigger
- T1/T2/T3/T4:
Shortcut key

- Power switch on(push up)
Power switch off(push down)
- Working Indicator
- Steering Wheel

Caution!

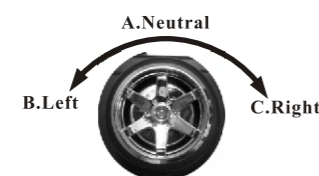
Make sure antenna is properly inserted and screwed in the transmitter.Antenna should be fully extended

Throttle Trigger



- Push the trigger forwards to allow the vehicle to speed down to brake.
- Pull the trigger backwards to allow the vehicle to go forward and speed up.

Steering Wheel



Turn the steering wheel to the left or right to let the vehicle turn left or right.



Switch on the transmitter,then the receiver to start the engine;turn off the receiver then the transmitter to stop running engine.

The 1/5th transmitter has two different setting way.Push up the power button,will enter into common function set.Press the mode fuction key while pushing up the power button, up the power button,will enter into the system function set.

Common Function Setting:

- The throttle trigger and steering wheel must be in natural position before reading the figure.
- EPA:
 - EPA-ST : front wheel steering set
 - EPA-TH:brake or forwarding operation set.
- SPD:
 - SPD-TN: steering speed set
 - SPD-RN:return to natural position set
- EXP:(sensibility adjustable range:-100%~+100%;-100% is low-grade,+100% is superior.)
 - EXP-ST:steering sensibility set.
 - EXP-FW:forward sensibility set
 - EXP-BK:brake sensibility set.

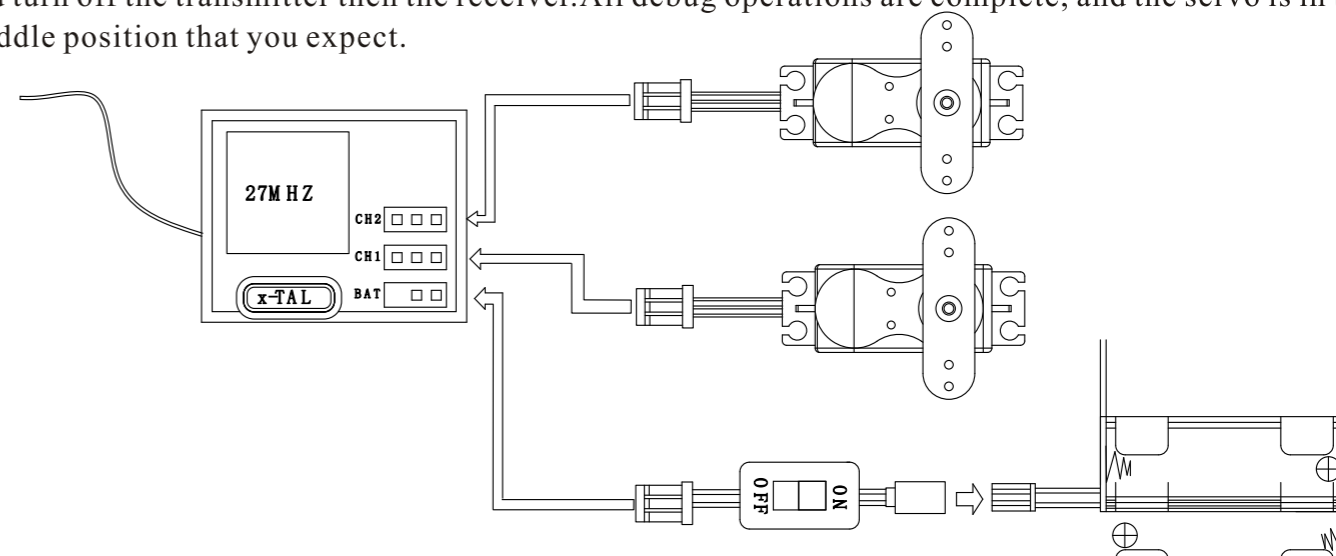
- ABS:(anti-slip brake set)
 - ABS-PT:brake return speed set.
 - ABS-CY:perform cycle set
 - ABS-DL:extend brake time set
 - ABS-MD:off or on set
- ACC:
 - ACC-FW:add forward speed set
 - ACC-BW:add brake speed set
- BMX: brake function mix set
- TRM:(idle position adjust)
 - TRM-ST:steering trim set
 - TRM-TH:forward trim set
- D/R
 - D/R steering rate set
 - D/R-ST:steering angle set
- ATL
 - brake intensity set
 - ATL-BK:set the brake intensity solely(adjusting brake servo angel)
- SBT:(two channel idle position set)
 - SBT-ST:steering trim set
 - SBT-TH:forward trim set
- REV:
 - REV-ST:steering reverse set(off/on)
 - REV-TH:forward reverse set(off/on)
- MODE SEL:can save 10 models control data.

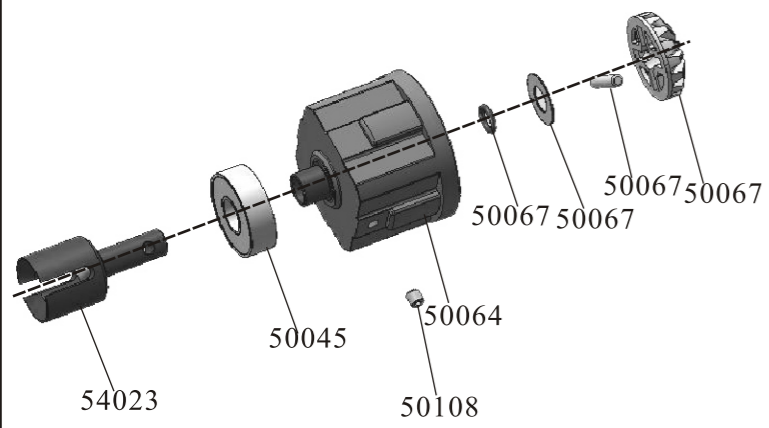
System Function Setting:

- Copy mode control data
- Mode control data initialization
- Each mode control data name set.
- Signal output set(PPM mode only)
- FNC-SW2:switch key
- FNC-DT:
 - ST:steering trim adjust
 - TH:throttle trim adjust
 - DR:steering control rate DR-ST adjust
 - AT:ATL-BK adjust
 - E1:steering EXP-ST adjust
 - BK:BMX-RT adjust
- LED-MD:LED bright adjustment.press the increase or decrease to change light brightness.

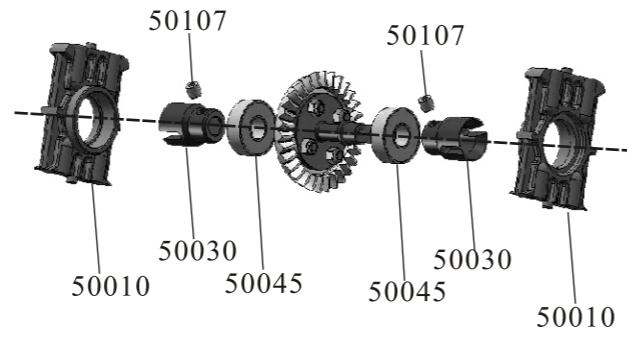
2-Channel Radio Transmitting System

Please read the instructions for the radio system carefully before running your car. The servo is required to be set at Center position before starting assembly. To set the servo at the Idle (Neutral) position switch on the transmitter and receiver. Allow the servo trim arm at Center position, and turn off the transmitter then the receiver.All debug operations are complete, and the servo is in the Middle position that you expect.

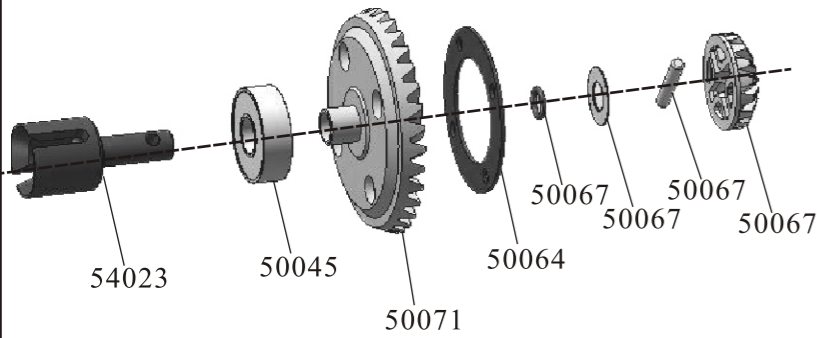




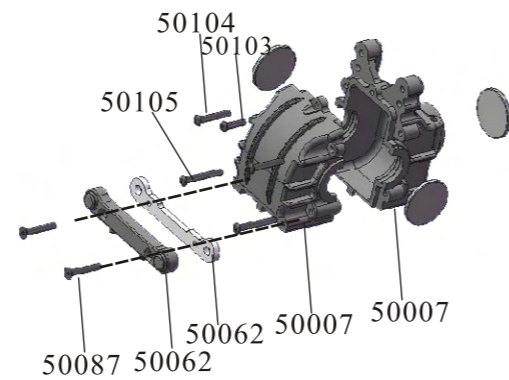
Step1:Diff.Shell Assembly



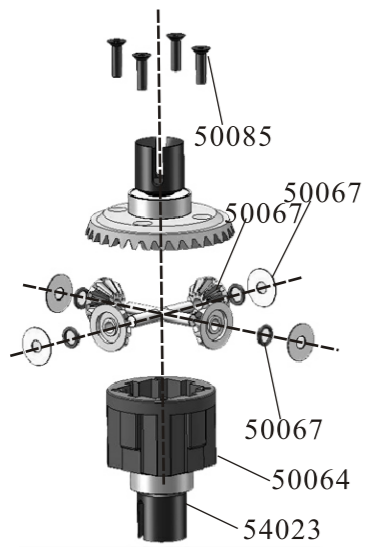
Step5:Driven Joint Cup Assembly



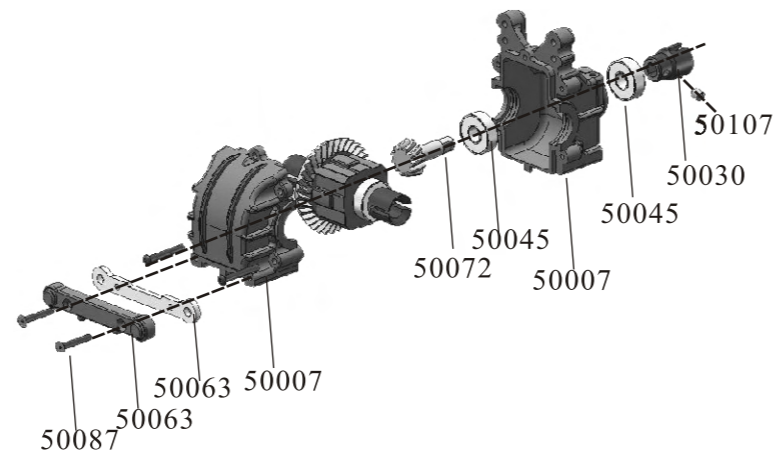
Step2:Diff. Gear Box Assembly



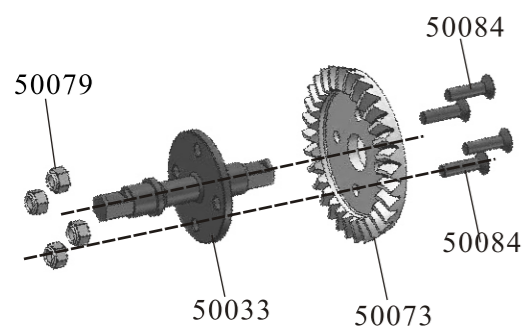
Step6:Front Gear Box Assembly



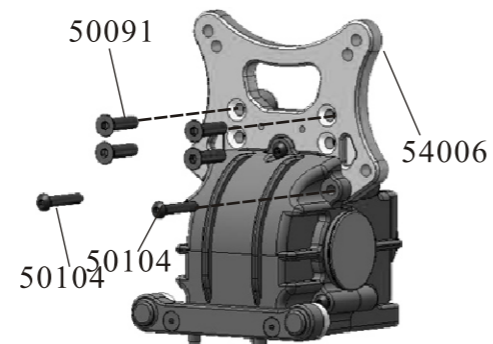
Step3:Diff.Drive Pinion Assembly



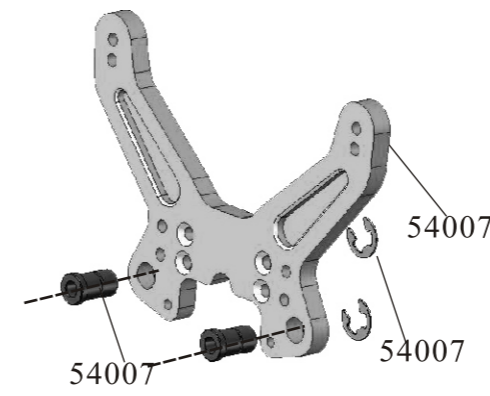
Step7:Rear Gear Box Assembly



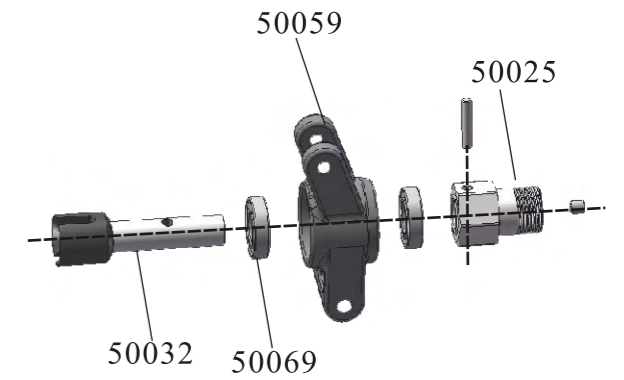
Step4:Diff.Gear Assembly



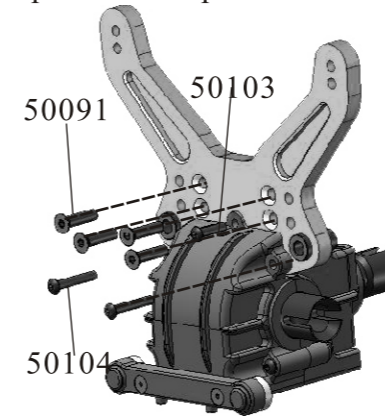
Step8:Front Shock Tower Assembly



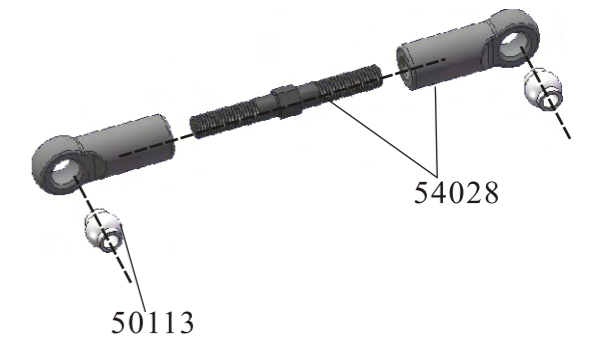
Step9:Rear Susp. Bush Assembly



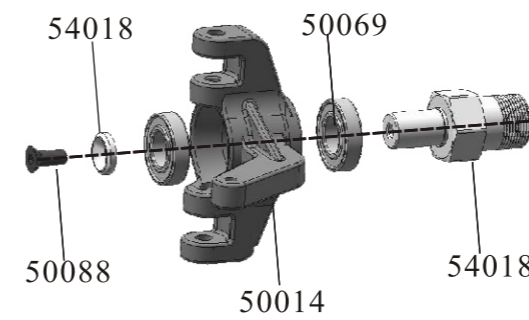
Step13:Rear Hub Carrier Assembly



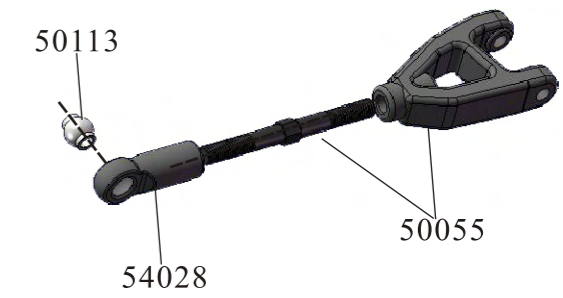
Step10:Rear Shock Tower Assembly



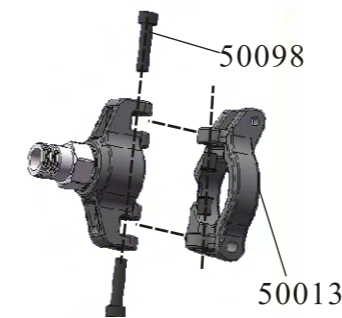
Step14:Front Upper Susp. Arm Assembly



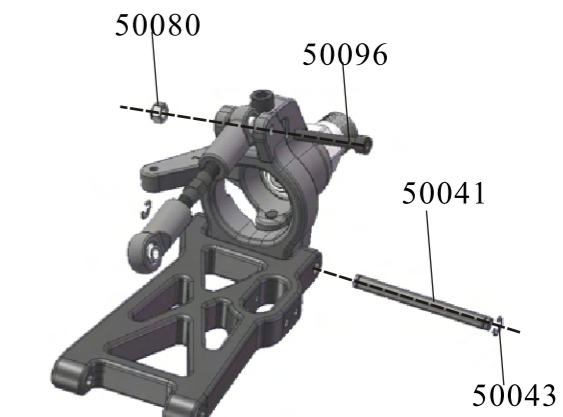
Step11:Steering Mount Assembly



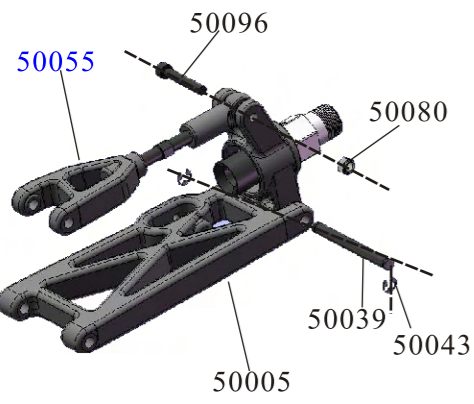
Step15:Rear Upper Susp. Arm Assembly



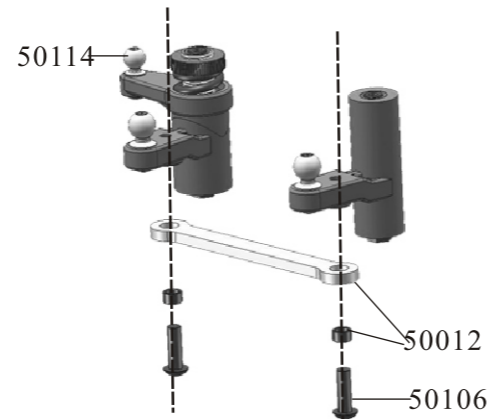
Step12:Caster Mount Assembly



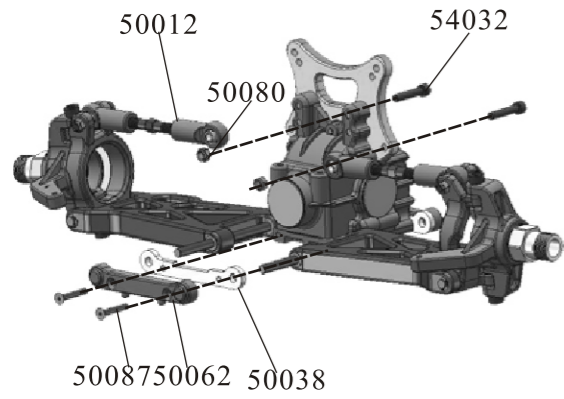
Step16:Front Upper/ Lower Susp. Arm Assembly



Step17:Rear Upper /Lower Susp.Arm Assembly



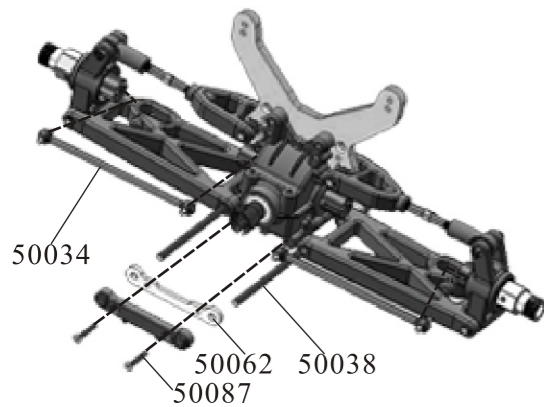
Step21:Ackerman Plate Assembly



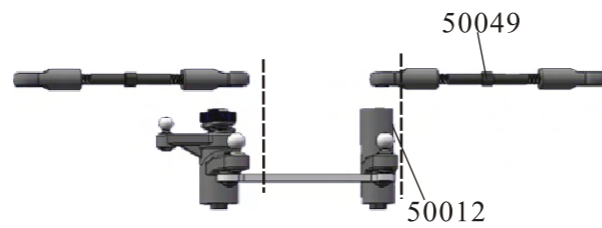
Step18:Front Susp.Arm & Gear Box Assembly



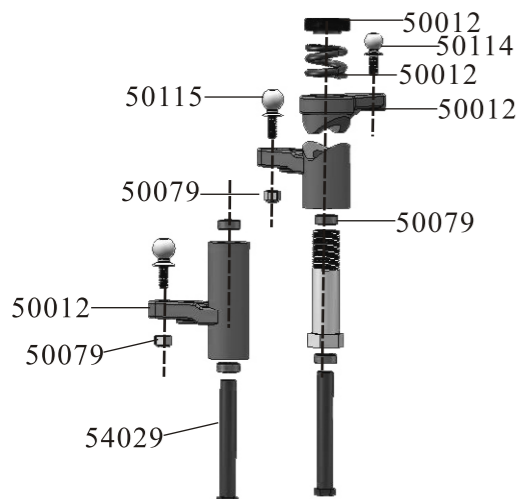
Step22:Steering Linkage Assembly



Step19:Rear Susp.Arm & Gear Box Assembly



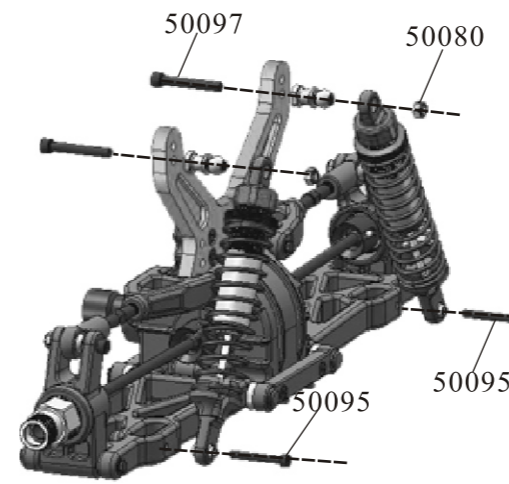
Step23:Steering Saver Assembly



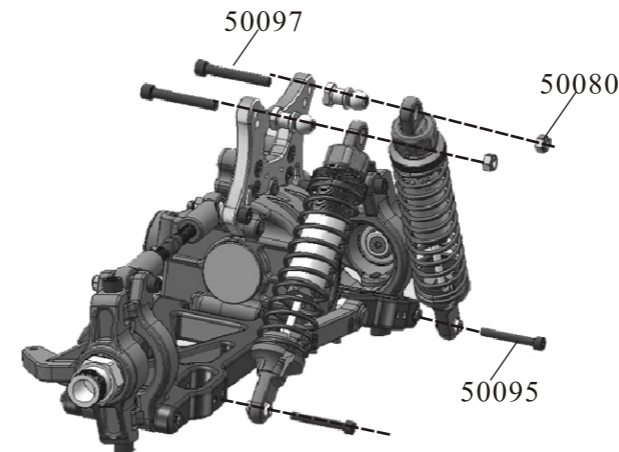
Step20:Servo Saver/Steering Assembly



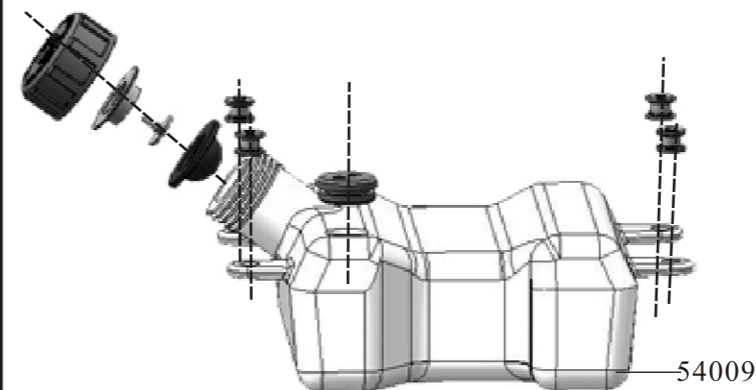
Step24:Front Shock Absorber Set(short)
Rear Shock Absorber Set(long)



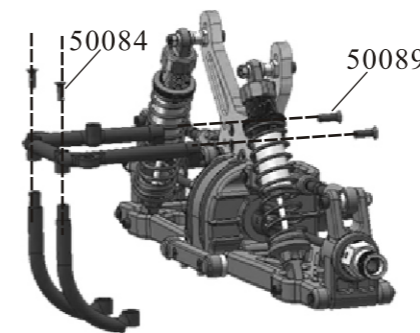
Step25:Rear Shock Absorber Assembly



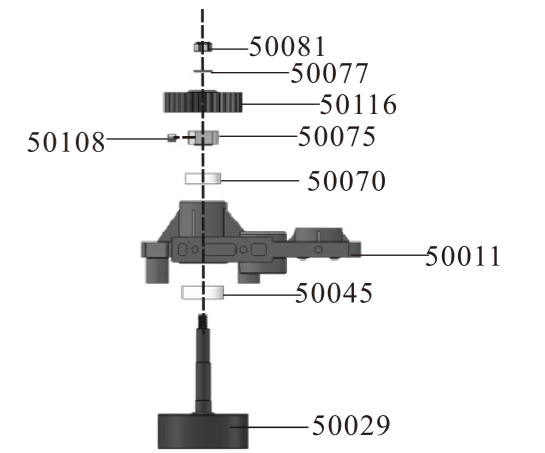
Step26:Front Shock Absorber Assembly



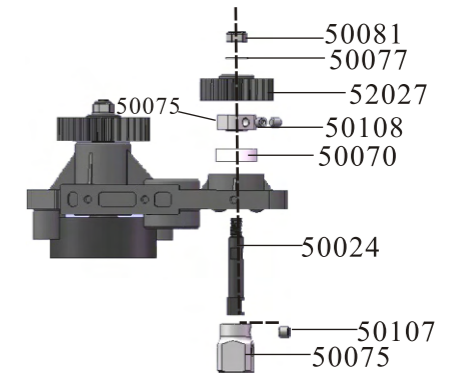
Step27:Fuel Tank Assembly



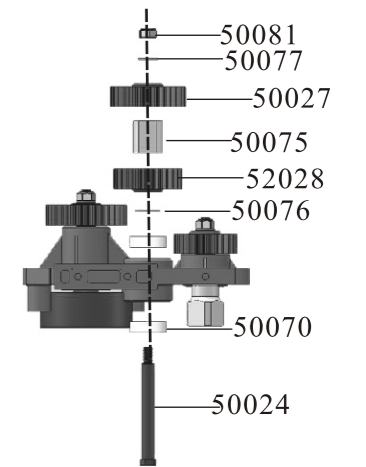
Step28: Wing Mount Assembly



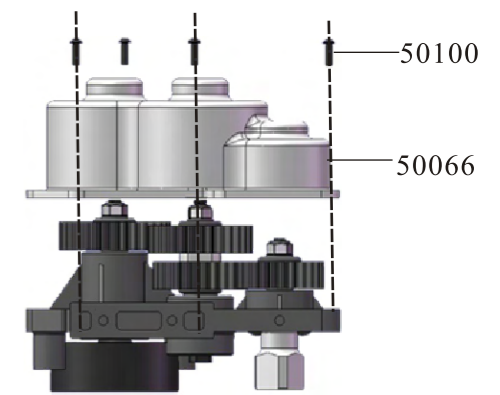
Step29:Clutch Bell Assembly



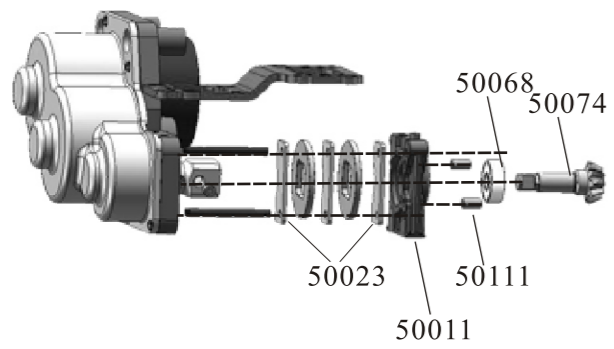
Step30:First Way Gear Assembly



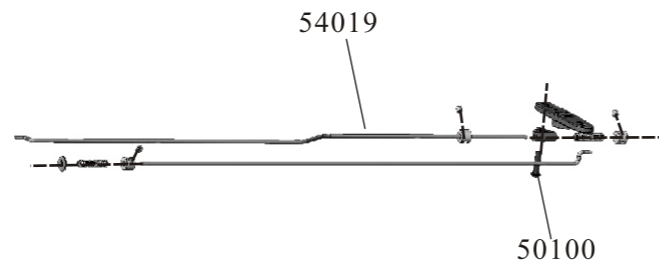
Step31:Second Way Gear Assembly



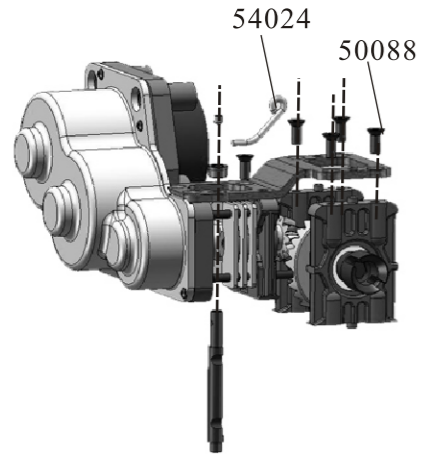
Step32: Gear Cover Assembly



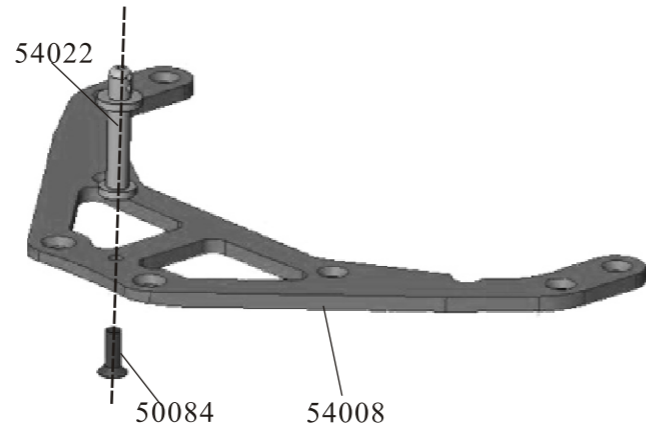
Step33: Brake Disc Assembly



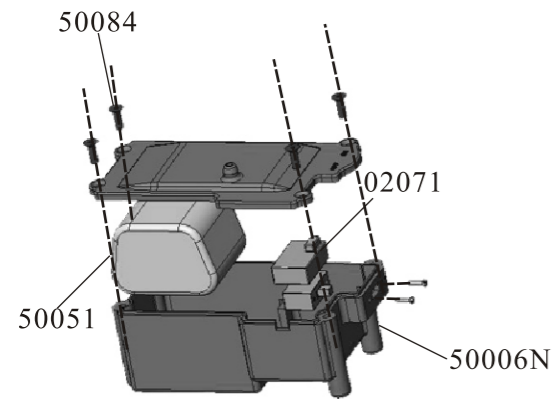
Step37: Throttle Linkage Assembly



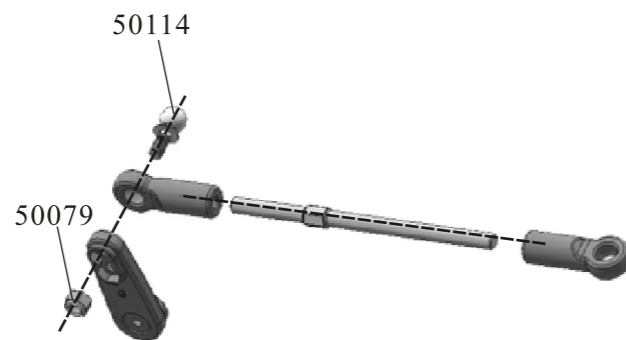
Step34: Radio Tray Assembly



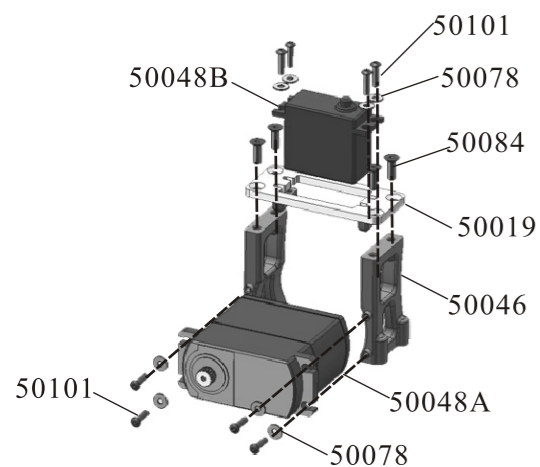
Step38: Body Post Assembly



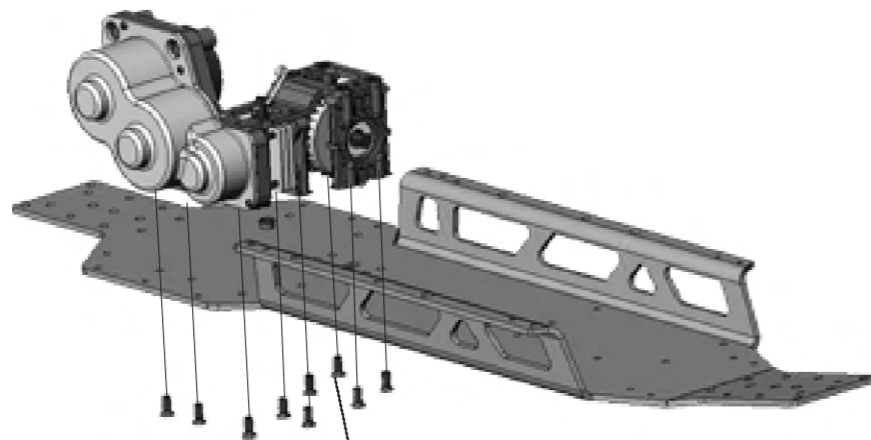
Step35: Battery Case Assembly



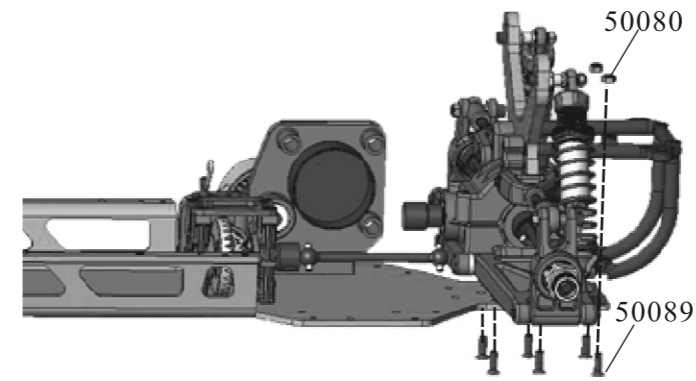
Step39: Servo linkage Assembly



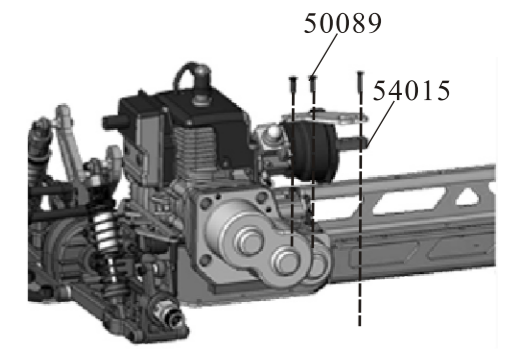
Step36: Servo Assembly



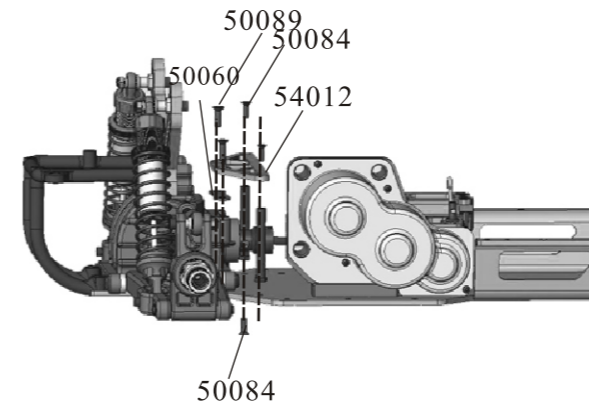
Step 40: Center Diff. Gear Assembly



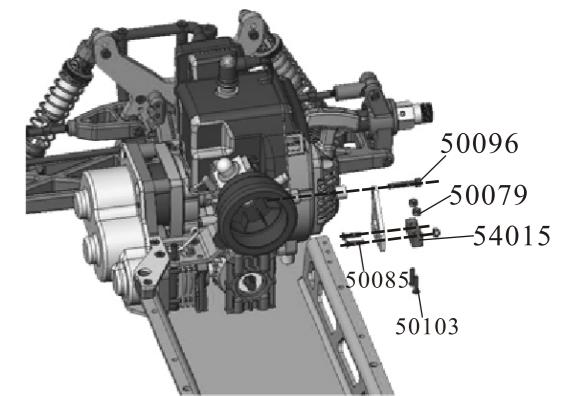
Step41: Throttle Linkage Assembly



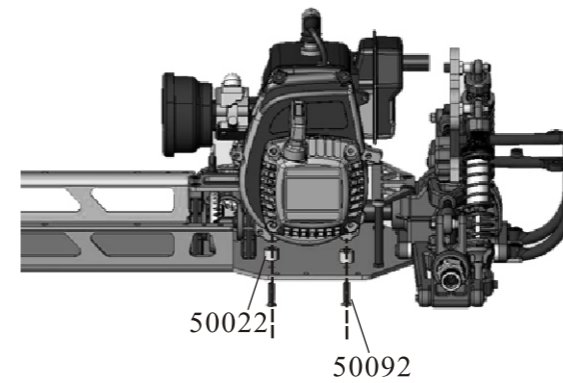
Step45: Brace A Assembly



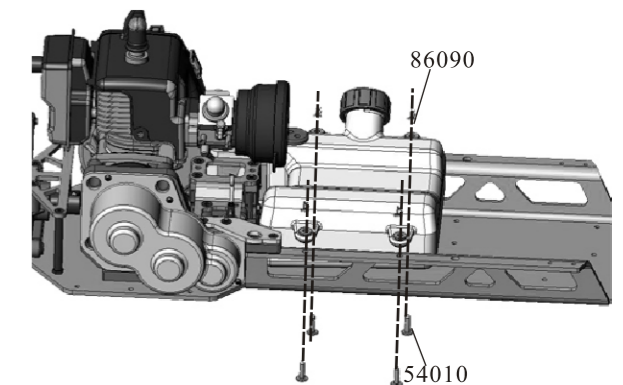
Step42: Front Top Plate Assembly



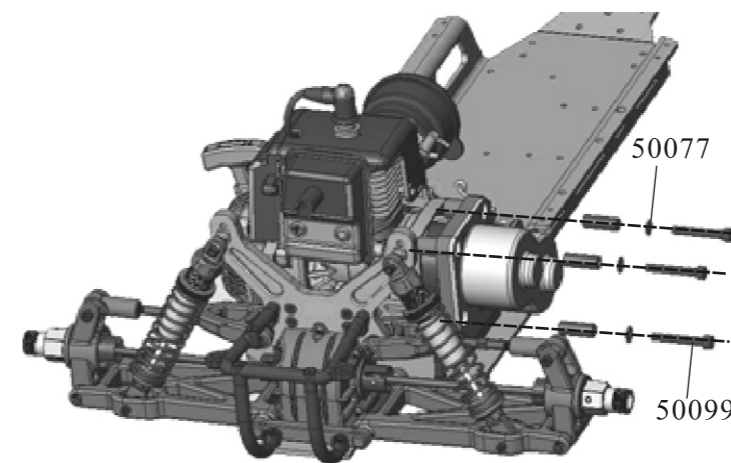
Step46: Brace B Assembly



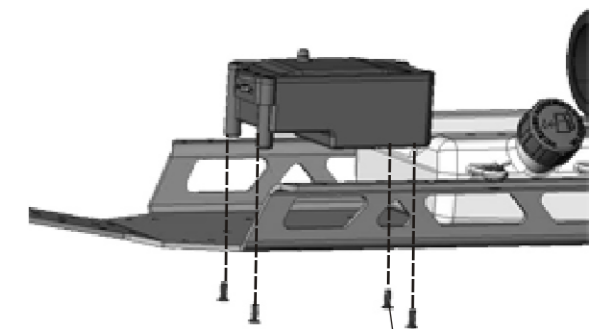
Step43: Engine Post Assembly



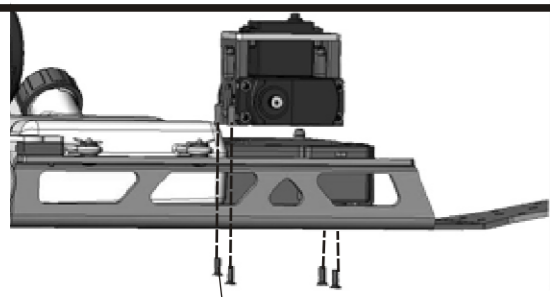
Step47: Fuel Tank Post Assembly



Step44: Engine Post Assembly

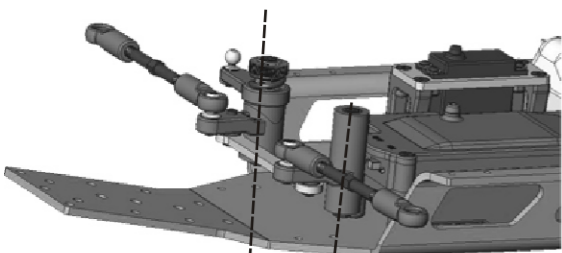


Step48: Battery Case Assembly



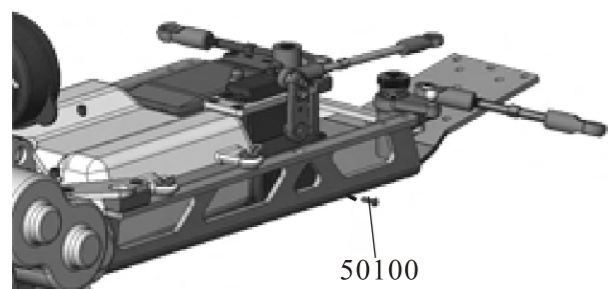
50084

Step 49: Center Diff. Assembly



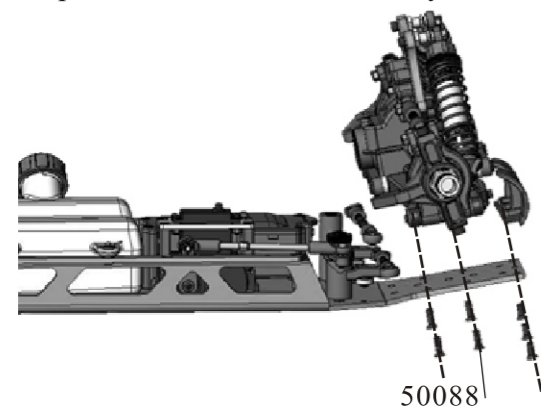
50084

Step 50: Servo Saver Assembly



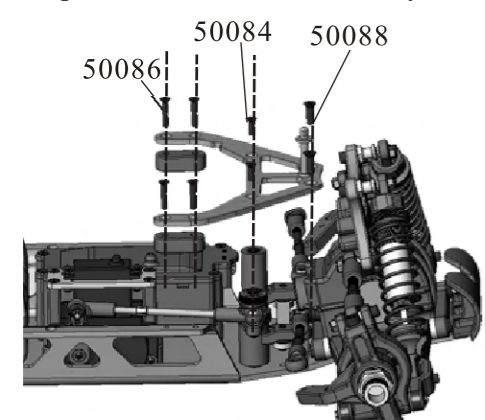
50100

Step 51: Servo Saver Assembly



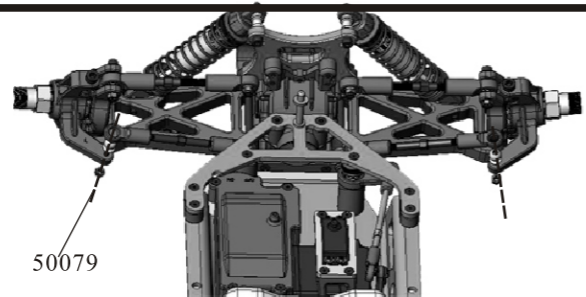
50088

Step 52: Front Unit Assembly



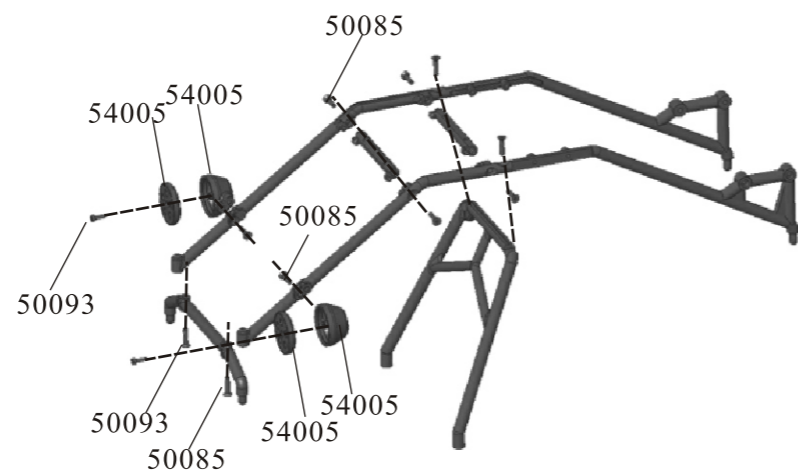
50086 50084 50088

Step 53: Front Upper Top Plate Assembly



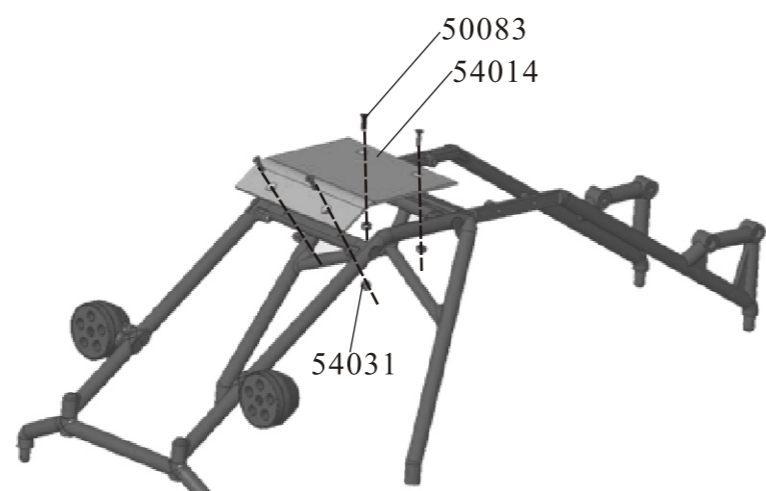
50079

Step 54: Servo Saver Assembly



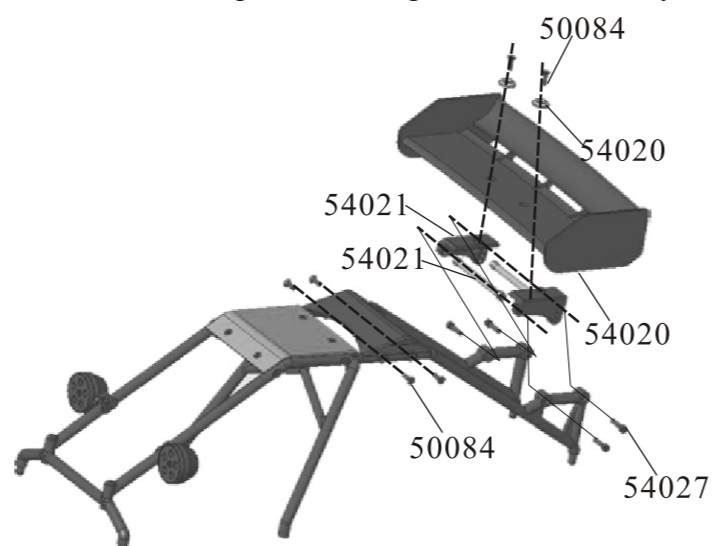
50085 54005 54005 50093 50085 54005 54005

Step 55: Roll Cage Assembly



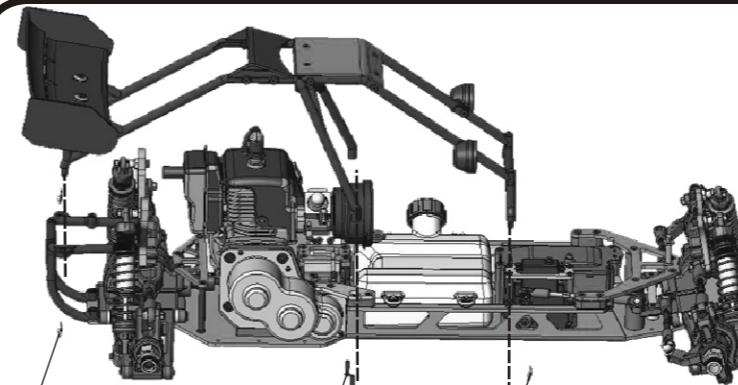
50083 54014

Step 56: Roll Cage Cover Assembly



50084 54020 54021 54021 54020 50084 54027

Step 57: Wing Assembly

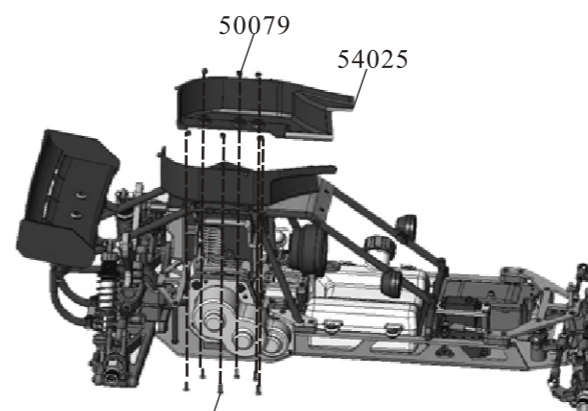


81013

50103

81013

Step 58: Roll Cage Assembly

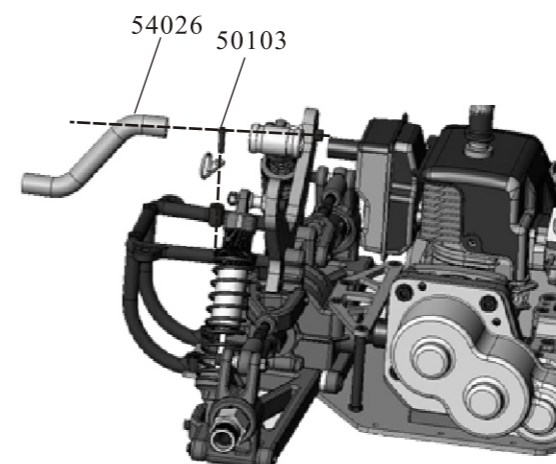


50079

54025

50084

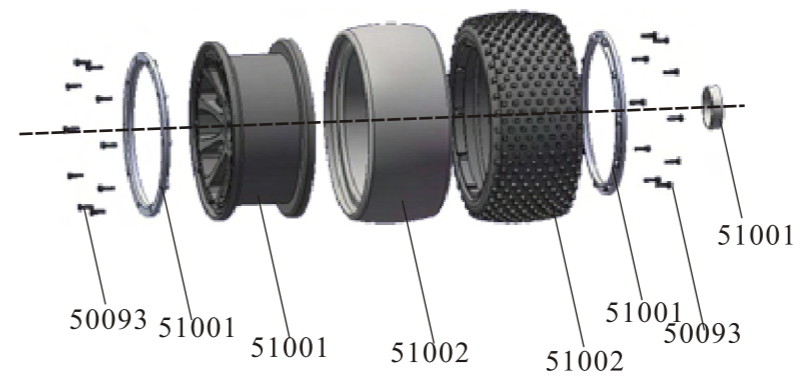
Step 59: Side Guard Assembly



54026

50103

Step 60: Silicone Joint Tubing Assembly



50093

51001

51001

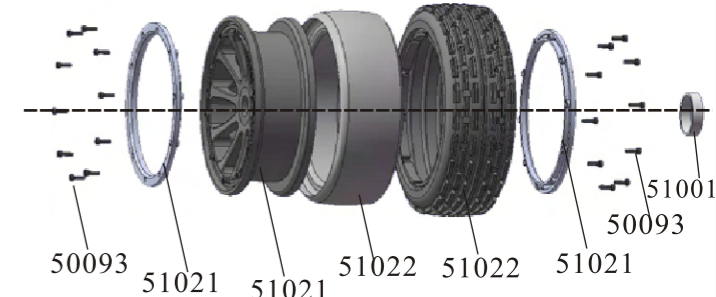
51002

51002

51001

50093

Step 61: Rear Tire Set Assembly



50093

51021

51021

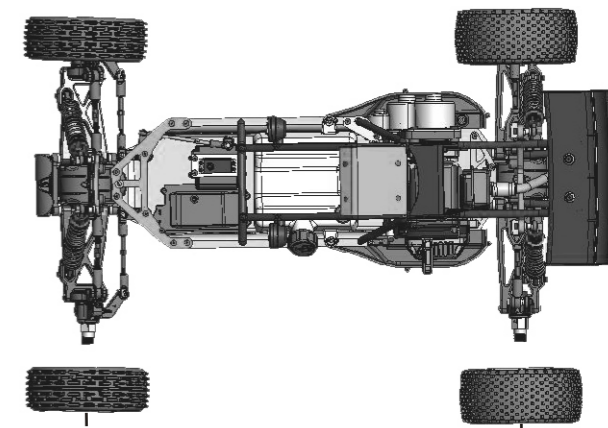
51022

51022

51021

51001

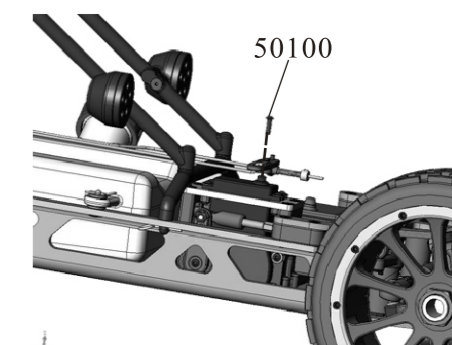
Step 62: Front Tire Set Assembly



50025

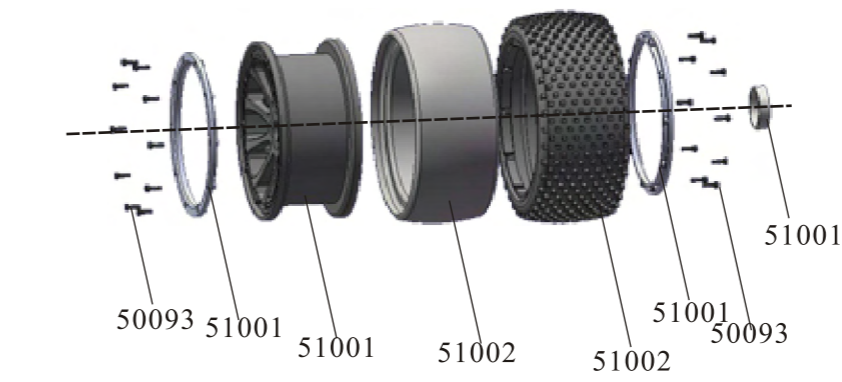
50025

Step 63: Wheel Nut Assembly



50100

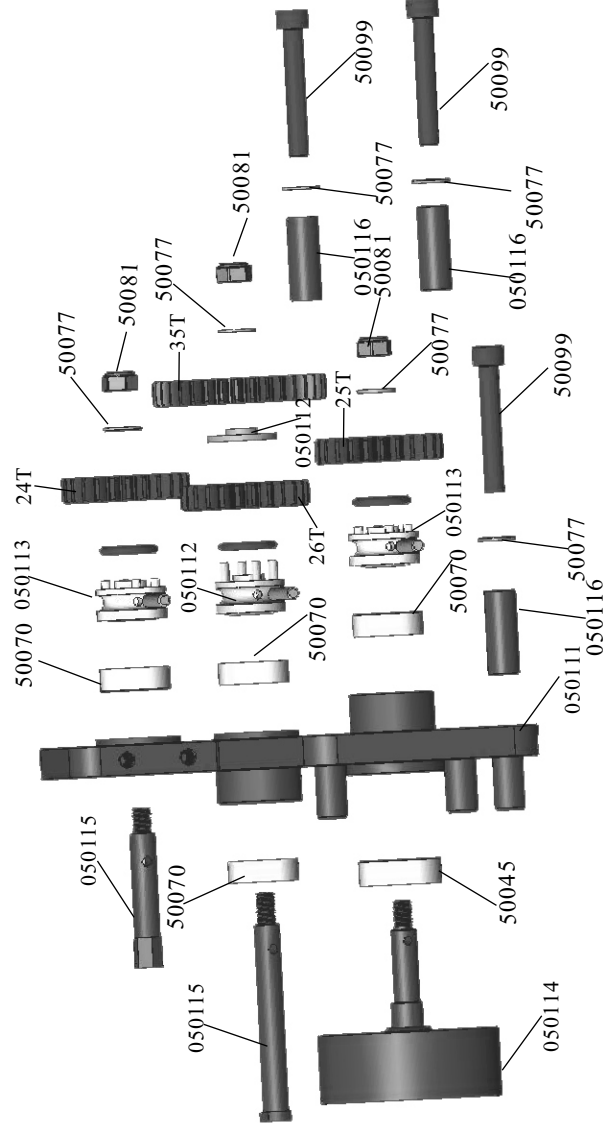
Step 64: Throttle Linkage Assembly



81013

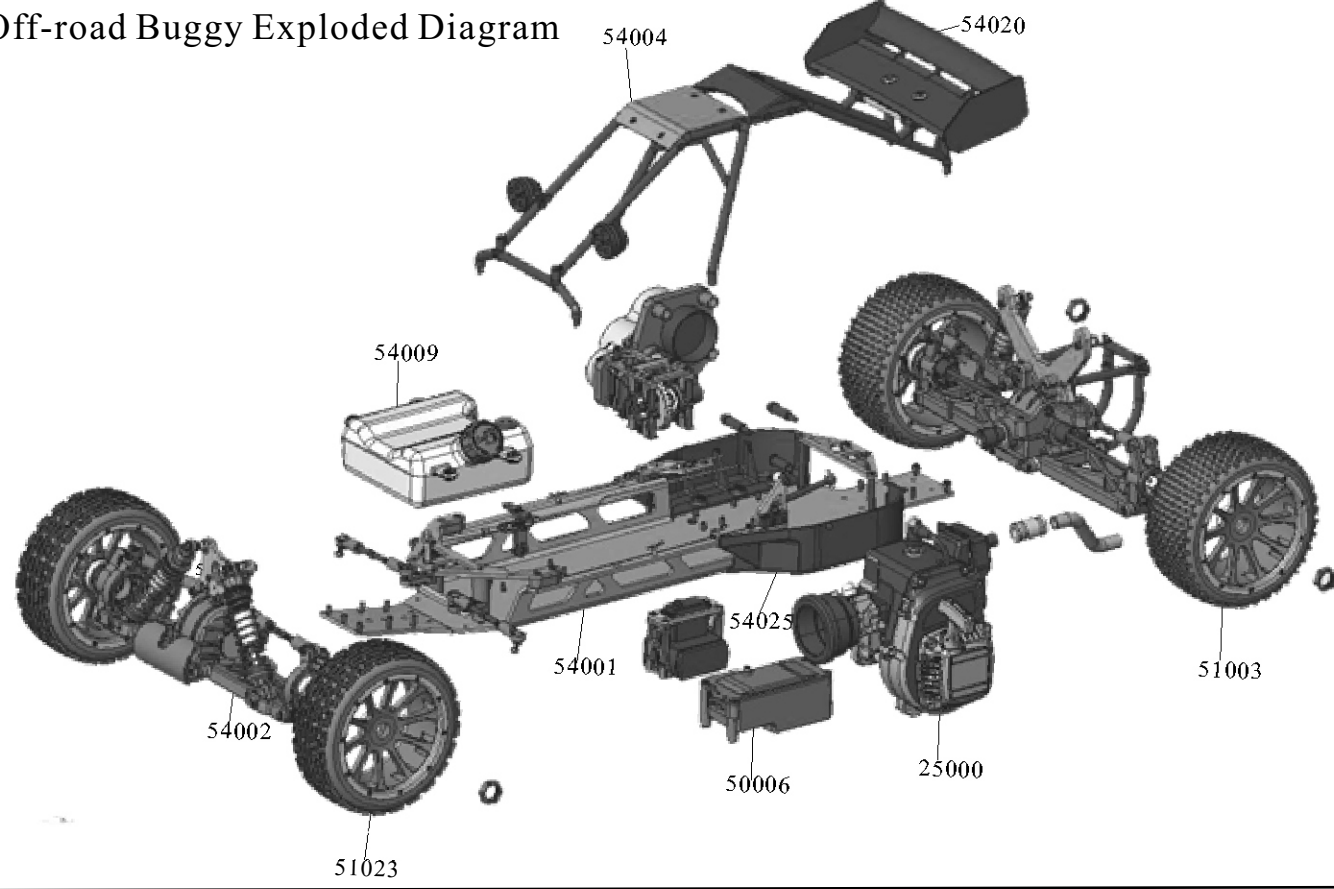
Step 65: Body Assembly

Aluminum Centre Diff. Gear Assembly (for Optional Use)



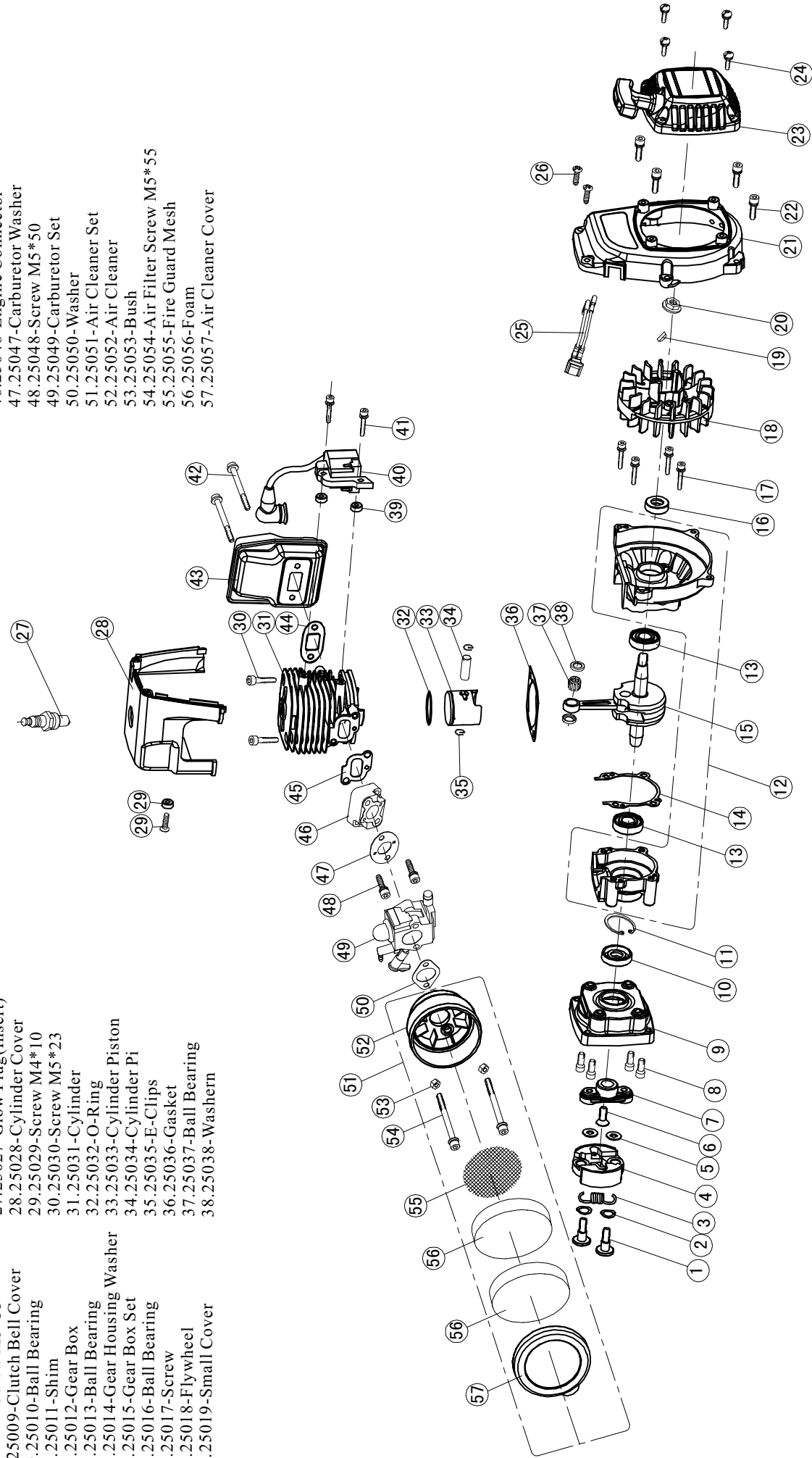
054096-Alum. Centre Diff Mount Set		054097-Alum. Gear (24T/25T/26T/35T)		050111-Diff. Gear Mount		050112-Diff. first way shaft mount	
050113-Diff. Second Shaft mount		050114-Clutch Bell		050115-Diff. First Way Shaft+ Diff. Second Way Shaft		050116-Pins	
50099-Column Head Mechanical Screw(6*40) 4P		50070-Ball Bearing(22*8*7) 4P		50077-Second Way Gear Washer 6*12*1.5MM 6P		50081-Nuts(M6) 6P	

Off-road Buggy Exploded Diagram




Engine Diagram(25CC)

- 1. 25001-Screw
- 2. 25002-Washer
- 3. 25003-Spring
- 4. 25004-Friction
- 5. 25005-Washer
- 6. 25006-Screw
- 7. 25007-Clutch Connector
- 8. 25008-Screw M5*55
- 9. 25009-Clutch Bell Cover
- 10. 25010-Ball Bearing
- 11. 25011-Shim
- 12. 25012-Gear Box
- 13. 25013-Ball Bearing
- 14. 25014-Gear Housing Washer
- 15. 25015-Gear Box Set
- 16. 25016-Ball Bearing
- 17. 25017-Screw
- 18. 25018-Flywheel
- 19. 25019-Small Cover
- 20. 25020-Nut
- 21. 25021-Fan Cover
- 22. 25022-Screw M5 *20
- 23. 25023-Pull Start Set
- 24. 25024-Screw M4*16
- 25. 25025-Power-off Switch
- 26. 25026-Screw
- 27. 25027-Glow Plug (Insert)
- 28. 25028-Cylinder Cover
- 29. 25029-Screw M4*10
- 30. 25030-Screw M5*23
- 31. 25031-Cylinder
- 32. 25032-O-Ring
- 33. 25033-Cylinder Piston
- 34. 25034-Cylinder Pi
- 35. 25035-E-Clips
- 36. 25036-Gasket
- 37. 25037-Ball Bearing
- 38. 25038-Washern
- 39. 25039-Washer
- 40. 25040-Glow Plug Igniter
- 41. 25041-Screw (M4*18)
- 42. 25042-Screw (M5*45)
- 43. 25043-Silencer
- 44. 25044-Exhaust Pipe Washer
- 45. 25045-Venthole Washer
- 46. 25046-Engine Connector
- 47. 25047-Carburetor Washer
- 48. 25048-Screw M5*50
- 49. 25049-Carburetor Set
- 50. 25050-Washer
- 51. 25051-Air Cleaner Set
- 52. 25052-Air Cleaner
- 53. 25053-Bush
- 54. 25054-Air Filter Screw M5*55
- 55. 25055-Fire Guard Mesh
- 56. 25056-Foam
- 57. 25057-Air Cleaner Cover






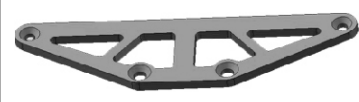

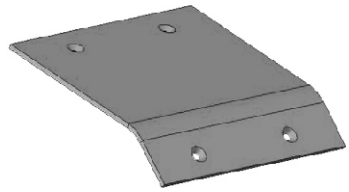
Spare Parts for Off-road Buggy

50004-Front Lower Suspension Arm 2P 	50005-Rear Lower Suspension Arm 2P 	50055-Rear Upper Suspension Arms 2P 	54028-Front Upper Suspension Arm 2P 
50006-Battery/Receiver Case 	50007-Gear Box 	50010-Center Diff. Mount 2P 	50011-Centre Diff. Mount Set 
50013-Caster Mount(L/R) 	50014-Steering Mount 2P 	50012-Servo Saver/Steering Complete 	50018-Fuel Pipes 2P 
50019-Servo Top Mount 	50020-Center Diff. Tray 	50022-Deck Spacer + Countersunk Screw 	50023-Brake Discs+Pads +Pins 
50024-Diff.First Way Shaft +Second Way Shaft 	50025- Wheel Mount+Nut +Shaft(Rear) 	50029-Clutch Bell Bush 	50030-Centre Dogbone Joint Cup 2P 
50032-Wheel Axle(F/R) 2P 	50033-CenterDiff. Shaft +Washers 	50034- Rear Dogbones 133MM 2P 	54011-Centre Dogbone 90MM





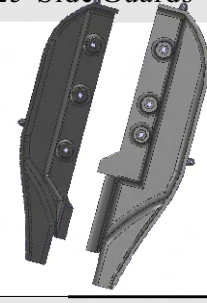

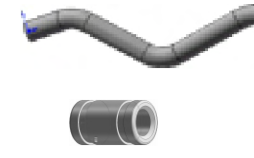
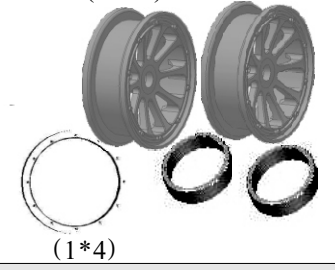


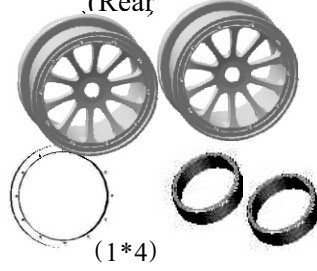
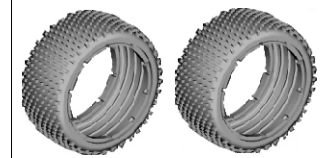
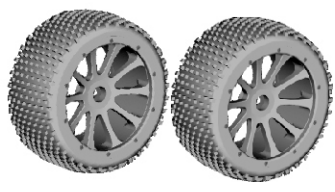
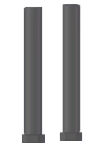




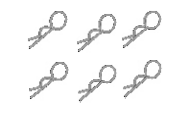





Spare Parts for Off-road Buggy

50046-Servo Mount(L/R) 	Sp2701-Steering Servo(27kg) 	Sp1301- Throttle Servo(13kg) 	51006-Front Bumper 
50117-Servo Mount(L/R) <small>Used on FUTABA/SANWA/HITECH/KO Brand Steering&Throttel Servo</small>	50118-Servo Horn <small>Used on FUTABA/SANWA/HITECH/KO Brand Steering&Throttel Servo</small>	50049-Steering Linkage 2P 	50050-Battery Charger (250 MA) 
50051-Chargeable Battery Pack(6V 2000MA) 	02071-Receiver(FM/AM) 	50053-Glow Plug 	81013-Body Clips 6P 
50059-Rear Hub Carrier 2P 	50062-Front Sus.Arm Holder 	50063-Rear Sus.Arm Holder 	50060-Rear Anti-Squate Pad 
25000-Engine 25CC 	50071-Front /Rear Crown Gear(33T) 	50072-Front/Rear Drive Pinion(11T) 	50073-Diff.Crown Gear (30T) 
50074-Diff.Drive Pinion (10T) 	50064-Front/Rear Diff.Shell Set 	50066-Diff. Gear Cover 	50067-Front/Rear Diff. Gear Set 



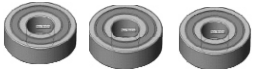



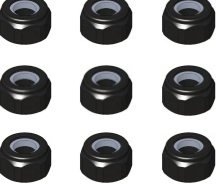



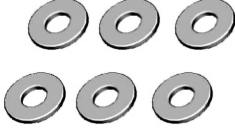
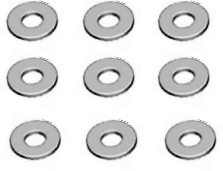









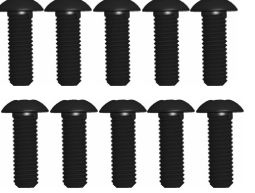

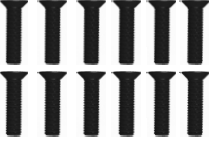
Spare Parts for Off-road Buggy

50075-Centre Diff. Gear Set 	50116-Gear(25T) 3P 	52027-Gear(24T) 	52028-Gear(26T) 
50027- Gear(35T) 	54001-Chassis 	54002-Front Shock Absorber(short) 2P 	50003-Rear Shock Absorber(long) 2P 
54004-Roll Cage (unassemble) 	54005-Roll Cage light Cover(L/R) 	54006-Front Shock Tower 	54007-Rear Shock Tower 
54008-Front Upper Top Plate /Post 	54009-Fuel Tank(700CC) 	54010-Fuel Tank Post W/E-Clips(86090) 4P 	54012-Rear Reinforcement Plate 
54013-Wing Mount 	54014-Top Plate 	54015-Brace Post 	54016-Brace A 
54017-Brace B 	54018-Wheel Hex/nuts (Front) 	54019-Servo horn and Throttle Linkage Set 	54020-New Style Wing +Wing Button 

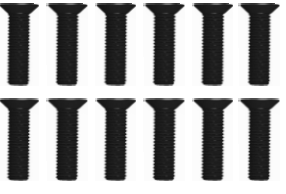
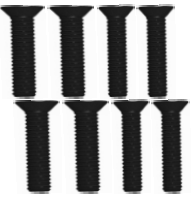
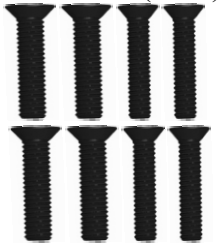
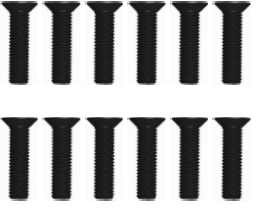
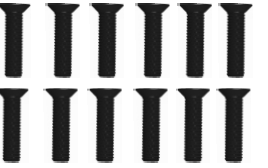

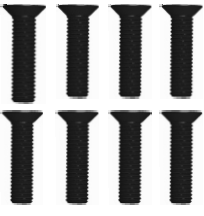










Spare Parts for Off-road Buggy

54021-SideWing Post w/wing stay 2P 	54022-Body Posts 2P 	54023-Diff. Joint Cups 2P 	54024-Brake Cam Set 
54025-Side Guards 	54030-Servo Link 	54026-Exhaust pipe+ Silicone Joint Tubing 	51021- Wheel Rim Complete (Front) 
51022-Tires(Front) 2P 	51023-Pre-mounted tire Set (Front) 2P 	51001-Wheels Rim Complete (Rear) 	51002-Tires(Rear) 2P 
51003-Pre-mounted tire Set (Rear) 2P 	54029-Buffer Post 2P 	50038-Front/Rear Lower Arm Pins 6*94MM 4P 	50039-Rear Lower Arm Pins 6*61MM 2P 
50040-Rear Upper Arm Pins 6*45MM 4P 	50041-Front Lower Arm Pins 6*65MM 2P 	86090-Fuel Tank Clips 6P 	50043-Sus. Arm E- Clips ϕ 4.0 8P 
50044-Shock Tower Arm E- Clips ϕ 8.0 8P 	50112-Front Sus.Arm Ball ϕ 10MM 4P 	50113-Rear Sus.Arm Ball ϕ 11MM 4P 	50114-Servo Link Ball ϕ 8MM 4P 

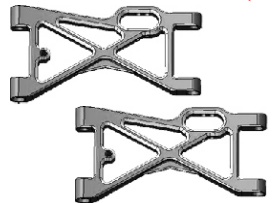
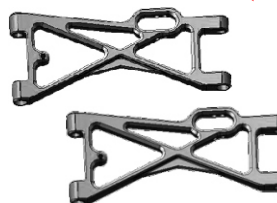
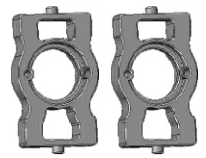
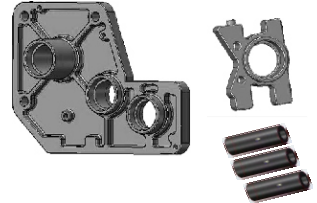
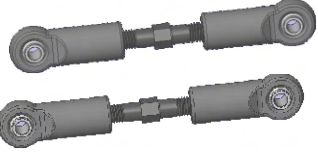

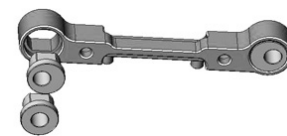








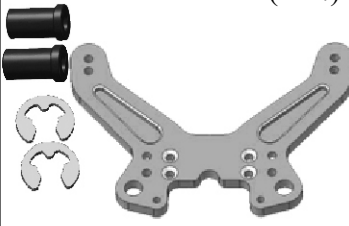
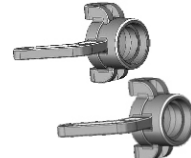
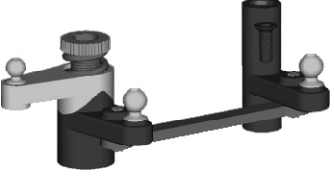






Spare Parts for Off-road Buggy

50115-Steering Link Ball Φ10MM 4P 	50045-Ball Bearing(26*10*8) 6P 	50068-Ball Bearing(22*10*7) 3P 	50069-Ball Bearing(24*12*6) 8P 
50070-Ball Bearing(22*8*7) 4P 	50079-Nuts(M4) 8P 	50080-Nuts(M5) 9P 	50081-Nuts(M6) 6P 
54031-Nuts(M3) 6P 	50076-First Way Gear Washer Φ8*15*1.5MM 4P 	50077-Second Way Gear Washer Φ6*12*1.5MM 6P 	50078-Servo Washers Φ3*8*0.8MM 9P 
50107-Hex Head Grub Screw(6*6) 8P 	50108-Hex Head Grub Screw(5*5) 8P 	50109-Hex Head Grub Screw(4*4) 8P 	50110-Hex Head Grub Screw(3*3) 8P 
50111-Hex Head Grub Screw(5*10) 4P 	50101-Cap Head Mechanical Screw(3*12) 12P 	50103-Cap Head Mechanical Screw(4*15) 8P 	50104-Cap Head Mechanical Screw(4*25) 4P 
50105-Cap Head Mechanical Screw(4*30) 4P 	50106-Cap Head Mechanical Screw(5*15) 10P 	50083-Countersunk Mechanical Screw(3*10) 4P 	50084-Countersunk Mechanical Screw (4*12) 12P 










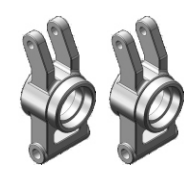

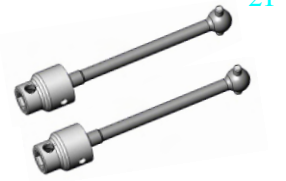




Spare Parts for Off-road Buggy

50085-Countersunk Mechanical Screw(4*16) 12P 	50086-Countersunk Mechanical Screw(4*20) 8P 	50087-Countersunk Mechanical Screw(4*25) 8P 	50088-Countersunk Mechanical Screw (5*12) 12P 
50089-Countersunk Mechanical Screw(5*15) 12P 	50090-Countersunk Mechanical Screw(5*18) 4P 	50091-Countersunk Mechanical Screw(5*20) 8P 	50092-Countersunk Mechanical Screw(5*25) 4P 
50093-Column Head Hex. Self-tapping Screw(3*10) 12P 	50095-Column Head Mechanical Screw(4*30) 4P 	50096-Column Head Mechanical Screw(5*30) 4P 	50097-Column Head Mechanical Screw(5*35) 6P 
50098-Column Head Mechanical Screw(6*25) 8P 	50099-Column Head Mechanical Screw(6*40) 4P 	50100-Cap Head Mechanical Screw(3*10) 8P 	54027-Column Head Mechanical Screw(4*16) 4P 
54032-Column Head Mechanical Screw(5*25) 6P 			

Upgradable Optional for Off-road Buggy

054001-Front Lower Suspension Arm 2P (AL.) 	054002-Rear Lower Suspension Arm 2P (AL.) 	054003-Center Diff.Mount 2P (AL.) 	054004-Gear Mount (AL.) 
051011-Front Upper Susp.Arm (AL.) 2P 	054006-Rear Upper Suspension Arm 2P (AL.) 	054007-Sus.Arm short Holder(F/R) (AL.)  Adjust angel(center&two side)	054008-Sus.Arm long Holder(R) (AL.)  Adjust angel(center&two side)
054009-Front Shock Absorber(short) 2P(AL.) 	054010-Rear Shock Absorber (long) 2P(AL.) 	054012-Servo Top Mount (AL.) 	054013-Center Diff.Tray (AL.) 
054014-Rear Reinforcement Plate (AL.) 	054015-Front Upper Top Plate (AL.) 	054016-Front Shock Tower (AL.) 	054017-Rear Shock Tower (AL.) 
054018-Steering Mount 2P (AL.) 	054019-Servo Saver/Steering Complete (AL.) 	054020-Center Dogbone 90mm 2P(AL.) 	054021-Fuel Tank Cover (AL.) 
050100-Fuel Pipe Bush 	050034-Engine Cover (AL.) 	050033-Engine Recoil Starter (AL.) 	VX28000-Engine(28CCPRO) 



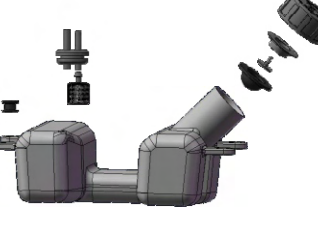
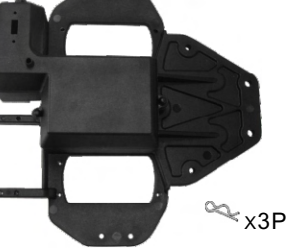


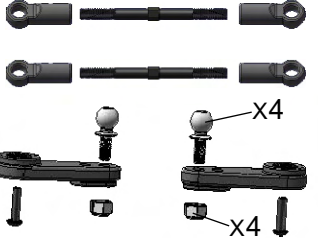




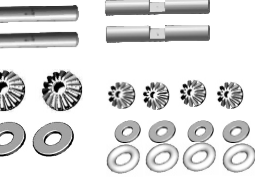



Upgradable Optional for Off-road Buggy

050028-Air Filter 	050040-Air Filter 	050031-Wheel Hex (AL.) 	050029-Shock Absorber Protective Cap (AL.) 
050101-Outerwear Shock Absorber Covers 	050009-Universal Drive Joint 2P(AL.) 	050011-Servo Mount(L/R) (AL.) 	050023-Servo Horn (AL.) 
050005-Caster Mount(L/R) (AL.) 	050007-Rear Hub Carrier 2P (AL.) 	050061-Center Dogbone 125mm (AL.) 2P 	050062-Center Dogbone 172mm (AL.) 2P 
054005-Steering Mount(L/R) (AL.) 	050030-Wheel Hex with Nut 	054096-Alum.Centre Diff Mount Set(for Buggy only) 	050039-Aluminum Polished Exhaust Pipe (AL.) 

Manual Attachment(For 4WD Buggy only)

1/5th GP 4WD Buggy(94054)

Below Special parts for 4WD Buggy.Other Parts are in common with Off-road 2WD Buggy(94054)

<p>54070-Servo Saver/Steering Complete</p> 	<p>54036-Steering Mount</p>  <p>22*10*7 M5*12/4P</p>	<p>54037-Fuel Tank</p> 	<p>54038-Receiver Case</p>  <p>x3P</p>
<p>54039-Center Front Dogbones 170mm</p> 	<p>54040-Center Dogbones 90mm</p> 	<p>54080-Servo Link</p>  <p>x4 x4</p>	<p>050009-Universal Drive Joint 2P</p> 
<p>50071-Front /Rear Crown Gear(33T)</p> 	<p>50072-Front/Rear Drive Pinion(11T)</p> 	<p>50064-Front/Rear Diff.Shell Set</p> 	<p>50067-Front/Rear Diff. Gear Set</p> 
<p>54023-Diff. Joint Cups</p>  <p>X2</p>	<p>50030-Centre Dogbone Joint Cup</p> 	<p>50025- Wheel Mount+Nut +Shaft(Rear)</p> 	<p>50045-Ball Bearing(26*10*8) 4P</p> 